



Hydraulic Series Scissor Lifts

0608(2132)/0808(2732)/0612(2146)

0812(2746)/1012(3346)/1212(4047)

1412(4647) 1414(4655)

Compliance with ISO/CE/ANSI/CSA/AS/CU-TR/KCS standards

Product Highlights

Flexible operation

- Small turning radius, flexible operation in narrow spaces
- Standard forklift slot for efficient equipment transportation
- Folding guardrails for easy transport

Reduced maintenance costs

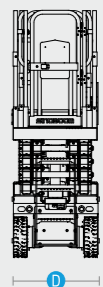
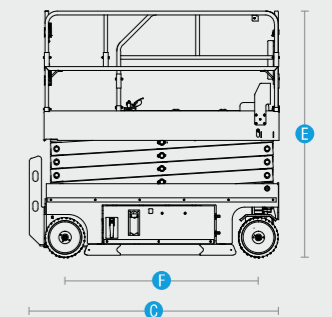
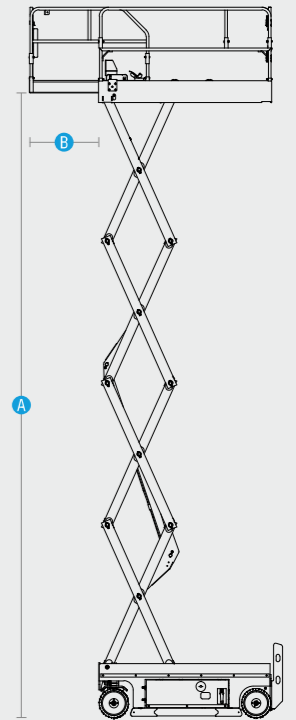
- Double-door design for easy maintenance
- Troubleshooting for quick fault diagnosis
- Highly quality parts and components

More reliable performance

- Battery voltage early warning to ensure battery life
- Bumper rail protection
- Pothole protection reporting and horizontal protection system give peace of mind during operation

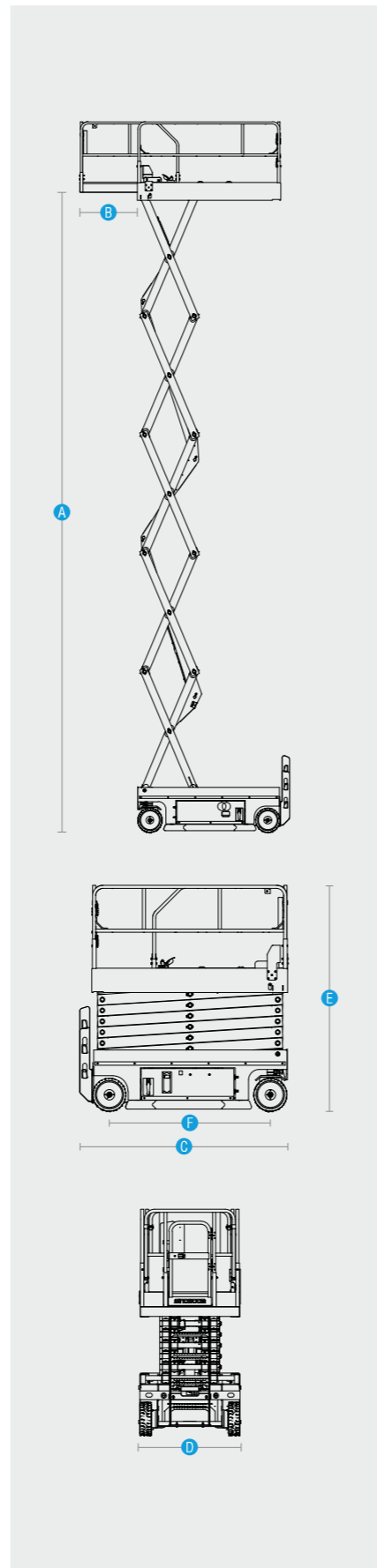
Standard features		
■ Maintenance-free battery	■ Automatic braking system	■ Full-stroke operation
■ Proportional control	■ Emergency lowering system	■ Forklift pocket and lifting eyes
■ Bumper rail	■ Emergency stop at both platform and ground controls	■ Electrophoresic painting technology
■ 4x2 drive	■ Fault diagnosis system	■ Foldable guardrail
■ Non-marking tyres	■ Tilt protection	
■ Integrated hand shield	■ Automatic pothole guard	
	■ Overload sensing system	
Optional features		
■ Overhead anti-collision device	■ Headlight	■ RCBO
■ AC power to platform		

Model	0608(2132)	0808(2732)	0612(2146)
Dimensions			
Max Working Height	8.3m(27'3")	10.1m(33'2")	8.3m(27'3")
A Max Platform Height	6.3m(20'8")	8.1m(26'7")	6.3m(20'8")
B Max Horizontal Extension	0.9m(3')	0.9m(3')	0.9m(3')
C Length-Stowed	2.39m(7'10")	2.39m(7'10")	2.39m(7'10")
D Width-Stowed	0.8m(2'8")	0.81m(2'8")	1.15m(3'9")
Height-Stowed(Rail Folded)	1.83m(6')	1.96m(6'5")	1.6m(5'3")
E Height-Stowed(Rail Unfolded)	2.22m(7'3")	2.35m(7'8.5")	2.22m(7'3")
F Wheelbase	1.85m(6'1")	1.85m(6'1")	1.85m(6'1")
Ground Clearance	0.1m(4")	0.1m(4")	0.1m(4")
Platform Dimensions(LxWxH)	2.25m×0.81m×1.1m (7'5"×2'7.9"×3'7")	2.25m×0.81m×1.1m (7'5"×2'7.9"×3'7")	2.25m×1.15m×1.1m (7'5"×3'9"×3'7")
Performance			
Platform Allowable Occupants (Indoor/Outdoor)	2 persons/1 person	2 persons/-	2 persons
Platform Capacity	380kg(838lbs)	250kg(551lbs)	550kg(1,213lbs)
Drive Speed-Stowed	3.2km/h(2mph)	3.2km/h(2mph)	3.2km/h(2mph)
Drive Speed-Raised	0.8km/h(0.5mph)	0.8km/h(0.5mph)	0.8km/h(0.5mph)
Elevation Time(Unloaded)	25s~30s	30s~35s	33s~38s
Descent Time(Unloaded)	30s~35s	34s~39s	30s~35s
Turning Radius(Inside/Outside)	0/2.1m(0/6'11")	0/2.1m(0/6'11")	0/2.35m(0/7'8.5")
Tilt Rating (Front to Back/Side to Side)	3°/1.5°	3°/1.5°	3°/1.5°
Tyre Size/Type	380×125mm (15×5"/solid)	380×125mm (15×5"/solid)	380×125mm (15×5"/solid)
Power			
Batteries	6V×4/225Ah	6V×4/225Ah	6V×4/240Ah
Power Source	24V DC	24V DC	24V DC
Drive Mode	2WD, front-wheel	2WD, front-wheel	2WD, front-wheel
Charger Input	100~240V AC	100~240V AC	100~240V AC
Charger Output	25A	25A	25A
Brake	2 rear wheel	2 rear wheel	2 rear wheel
Hydraulic System Capacity	16L(3.5gal)	16L(3.5gal)	20L(4.4gal)
Weight			
Weight	1,770kg(3,903lbs)	1,970kg(4,344lbs)	2,070kg(4,564lbs)
Standards Compliance	ISO/CE/ANSI/CSA/AS/CU-TR/KCS		





Model	0812(2746)	1012(3346)	1212(4047)
Dimensions			
Max Working Height	10.1m(33'2")	12m(39'4.5")	13.9m(45'7")
A Max Platform Height	8.1m(26'7")	10m(32'10")	11.9m(39')
B Max Horizontal Extension	0.9m(3')	0.9m(3')	0.9m(3')
C Length-Stowed	2.39m(7'10")	2.39m(7' 10")	2.39m(7'10")
D Width-Stowed	1.15m(3'9")	1.15m(3'9")	1.15m(3'9")
Height-Stowed(Rail Folded)	1.73m(3'10")	1.86m(6'1")	1.98m(6'6")
E Height-Stowed (Rail Unfolded)	2.35m(7'8.5")	2.48m(8'2")	2.60m(8'6")
F Wheelbase	1.85m(6'1")	1.85m(6'1")	1.85m(6'1")
Ground Clearance	0.1m(4")	0.1m(4")	0.1m(4")
Platform Dimensions (L×W×H)	2.25m×1.15m×1.1m (7'5"×3'9"×3'7")	2.25m×1.15m×1.1m (7'5"×3'9"×3'7")	2.25m×1.15m×1.1m (7'5"×3'9"×3'7")
Performance			
Platform Allowable Occupants (Indoor/Outdoor)	2 persons/-	2 persons/1 person	2 persons/1 person
Platform Capacity	450kg(992lbs)	320kg(705.6 lbs)	320kg(705.6lbs)
Drive Speed-Stowed	3.2km/h(2mph)	3.2km/h(2mph)	3.2km/h(2mph)
Drive Speed-Raised	0.8km/h(0.5mph)	0.8km/h(0.5mph)	0.8km/h(0.5mph)
Elevation Time(Unloaded)	33s~38s	53s~58s	63s~68s
Descent Time(Unloaded)	35s~40s	40s~45s	44s~49s
Gradeability	25%	25%	25%
Turning Radius(Inside/Outside)	0/2.35m(0/7'8.5")	0/2.35m(0/7'8.5")	0/2.35m(0/7'8.5")
Tilt Rating (Front to Back/Side to Side)	3°/1.5°	3°/1.5°	3°/1.5°
Tyre Size/Type	380×125mm (15×5")/solid	380×125mm (15×5")/solid	380×125mm (15×5")/solid
Power			
Batteries	6V×4/240Ah	6V×4/240Ah	12V×4/300Ah
Power Source	24V DC	24V DC	24V DC
Drive Mode	2WD, front-wheel	2WD, front-wheel	2WD, front-wheel
Charger Input	100-240V AC	100-240V AC	100-240V AC
Charger Output	25A	25A	25A
Brake	2 rear wheel	2 rear wheel	2 rear wheel
Hydraulic System Capacity	20L(4.4gal)	35L(7.7gal)	35L(7.7gal)
Weight			
Weight(Indoor/Outdoor)	-	2,570kg(5,667lbs)	2,900kg(6,394.5lbs)
Weight(Indoor Only)	2,490kg(5,490.5lbs)	2,380kg(5,248lbs)	2,615kg(5,766lbs)
Standards Compliance	ISO/CE/ANSI/CSA/AS/CU-TR/KCS		



Model	1412(4647)	1414(4655)
Dimensions		
Max Working Height	15.8m(51'10")	15.8m(51'10")
A Max Platform Height	13.8m(45'3")	13.8m(45'3")
B Max Horizontal Extension	0.9m(3')	0.9m(3')
C Length-Stowed	2.76m(9')	2.78m(9')
D Width-Stowed	1.25m(4'1")	1.41m(4'7")
Height-Stowed (Rail Folded)	2.20m(7'3")	1.96m(6'5")
E Height-Stowed(Rail Unfolded)	2.60m(8'6")	2.60m(8'6")
F Wheelbase	2.22m(7'3")	2.22m(7'3")
Ground Clearance(Pothole Guard Stowed)	100mm(4")	100mm(4")
Ground Clearance(Pothole Guard Deployed)	22mm(0.87")	25mm(0.98")
Platform Dimensions (L×W×H)	2.64m×0.81m×1.1m (8'8"×2'7.9"×3'7")	2.64m×1.15m×1.1m (8'8"×3'9"×3'7")
Performance		
Platform Allowable Occupants (Indoor/Outdoor)	2 persons/ 1 person	2 persons/ 1 person
Platform Capacity	227kg(500lbs)	227kg(500lbs)
Drive Speed-Stowed	3.2km/h(2mph)	3.2km/h(2mph)
Drive Speed-Raised	0.8km/h(0.5mph)	0.8km/h(0.5mph)
Elevation Time(Unloaded)	83s~92s	75s~85s
Descent Time(Unloaded)	55s~65s	55s~63s
Gradeability	25%	25%
Turning Radius(Inside/Outside)	0/2.56m(0/8'5")	0/2.64m(0/8'8")
Tilt Rating(Front to Back/Side to Side)	3°/1.5°	3°/1.5°
Tyre Size/Type	380×125mm(15×5")/solid	380×125mm(15×5")/solid
Power		
Batteries	6V×4/300Ah	12V×4/300Ah
Power Source	24V DC	24V DC, 4.5kW
Drive Mode	2WD, front-wheel	2WD, front-wheel
Charger Input	100-240V AC	100-240V AC
Charger Output	25A	25A
Brake	2 rear wheel	2 rear wheel
Hydraulic System Capacity	42L(9.2gal)	42L(9.2gal)
Weight		
Weight(Indoor and Outdoor)	3,364kg(7,417.5lbs)	3,400kg(7,496lbs)
Standards Compliance	ISO/CE/ANSI/CSA/AS/CU-TR/KCS	

